

VENETIAN

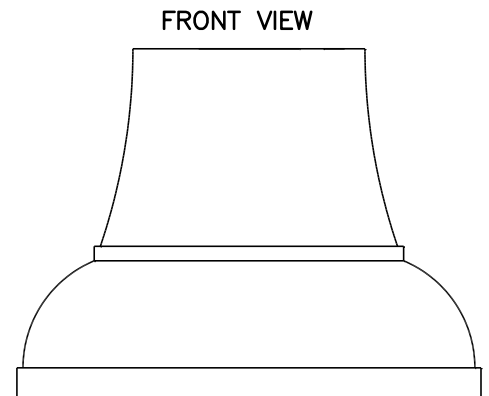
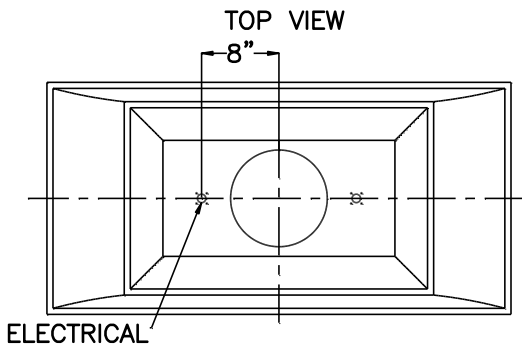
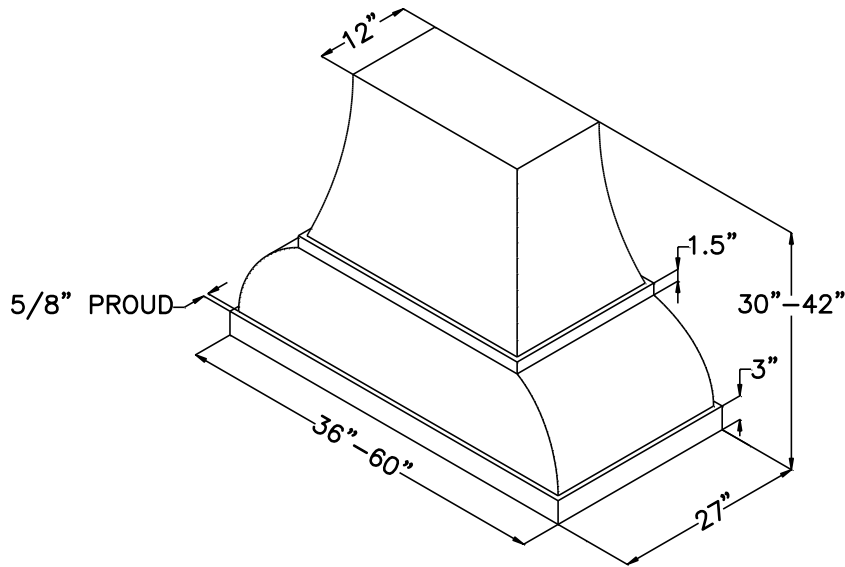
CEILING MOUNT



WWW.AMOREDESIGNFACTORY.COM

TEL: 855-72-AMORE

(26673)



CUSTOM SIZES AND CONFIGURATIONS AVAILABLE UPON REQUEST

FAN SPECIFICATIONS

OPTIONAL

1 FAN = 600 CFM = 6" DUCT

2 FANS = 1200 CFM = 10" DUCT

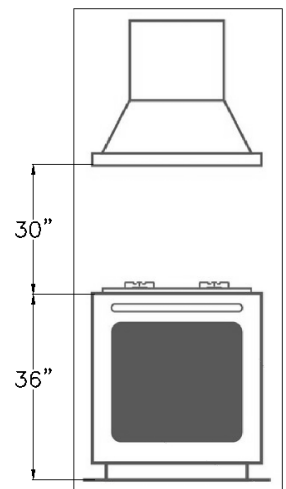
| | | |
|-------------------------------|-------------------|---------|
| Phase | | 1~ |
| Nominal voltage | VAC | 115 |
| Frequency | Hz | 60 |
| Type of data definition | | ml |
| Valid for approval / standard | | CE |
| Speed | min ⁻¹ | 2000 |
| Power input | W | 430 |
| Current draw | A | 3.75 |
| Motor capacitor | µF | 25 |
| Capacitor voltage | VDB | 240 |
| Capacitor standard | | P2 (CE) |
| Min. back pressure | Pa | 100 |
| Max. ambient temperature | °C | 40 |

HALOGEN BULB SPECIFICATIONS

LED LIGHTING AVAILABLE UPON REQUEST

| PACKING INFO | 120V 50W GX5.3 |
|----------------------------|----------------|
| NOMINAL VOLTAGE (V) | 120 |
| NOMINAL WATTAGE(W) +/- 10% | 49.5 |
| BASE | GX5.3 |
| DIAMETER (IN) | 1.96 |
| OVERALL LENGTH (IN) | 1.89 |

RECOMMENDED MOUNTING HEIGHT FOR OPTIMAL PERFORMANCE



VENETIAN CEILING MOUNT INCLUDED WITH:

DUCT LOCATION: CENTERED TOP *OFF-CENTERED LOCATION AVAILABLE UPON REQUEST*

HALOGEN LIGHTING: 2 LIGHTS 30"- 42", 3 LIGHTS 48"- 60" *ADDITIONAL LIGHTS AVAILABLE UPON REQUEST*

LIGHT AND FAN SWITCHES IN HOOD: VARIABLE SWITCHES WITH OFF POSITION *REMOTE SWITCHES AVAILABLE UPON REQUEST*