

# TUSCANY

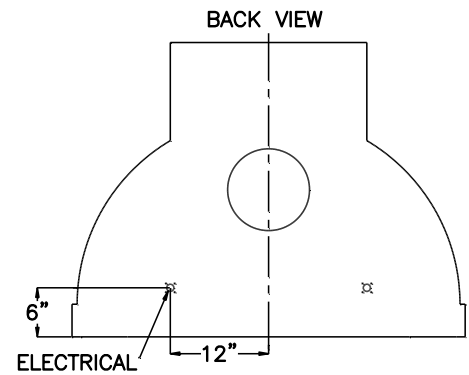
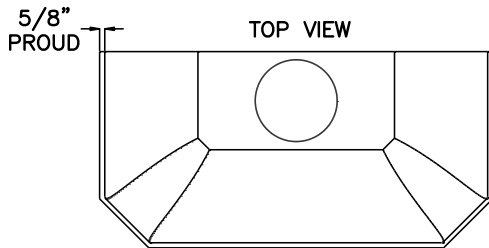
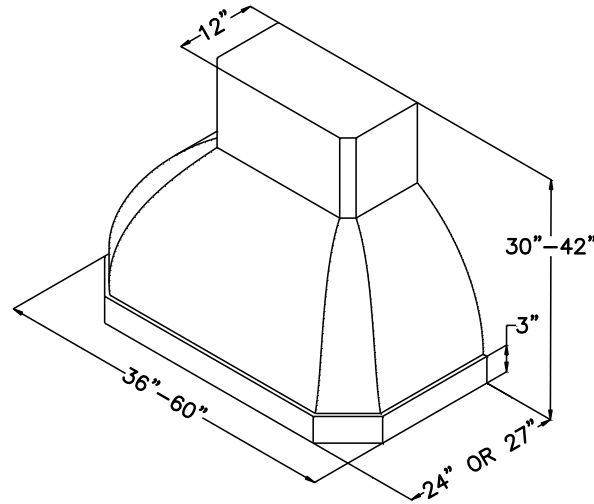
WALL MOUNT



WWW.AMOREDESIGNFACTORY.COM

TEL: 855-72-AMORE

(26673)



**\*CUSTOM SIZES AND CONFIGURATIONS AVAILABLE UPON REQUEST\***

### FAN SPECIFICATIONS

\*OPTIONAL\*

1 FAN = 600 CFM = 6" DUCT

2 FANS = 1200 CFM =10" DUCT

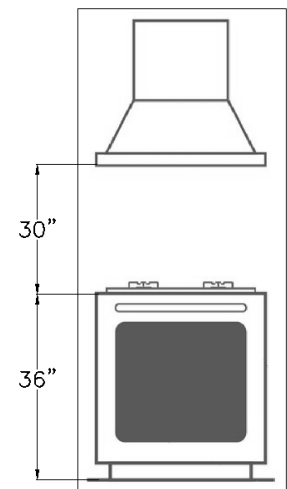
Phase		1~
Nominal voltage	VAC	115
Frequency	Hz	60
Type of data definition		ml
Valid for approval / standard		CE
Speed	min <sup>-1</sup>	2000
Power input	W	430
Current draw	A	3.75
Motor capacitor	µF	25
Capacitor voltage	VDB	240
Capacitor standard		P2 (CE)
Min. back pressure	Pa	100
Max. ambient temperature	°C	40

### HALOGEN BULB SPECIFICATIONS

\*LED LIGHTING AVAILABLE UPON REQUEST\*

PACKING INFO	120V 50W GX5.3
NOMINAL VOLTAGE (V)	120
NOMINAL WATTAGE(W) +/- 10%	49.5
BASE	GX5.3
DIAMETER (IN)	1.96
OVERALL LENGTH (IN)	1.89

### RECOMMENDED MOUNTING HEIGHT FOR OPTIMAL PERFORMANCE



### TUSCANY WALL MOUNT INCLUDED WITH:

DUCT LOCATION: CENTERED TOP OR BACK \*OFF-CENTERED LOCATION AVAILABLE UPON REQUEST\*

HALOGEN LIGHTING: 2 LIGHTS 30"- 42", 3 LIGHTS 48"- 60" \*ADDITIONAL LIGHTS AVAILABLE UPON REQUEST\*

LIGHT AND FAN SWITCHES IN HOOD: VARIABLE SWITCHES WITH OFF POSITION \*REMOTE SWITCHES AVAILABLE UPON REQUEST\*